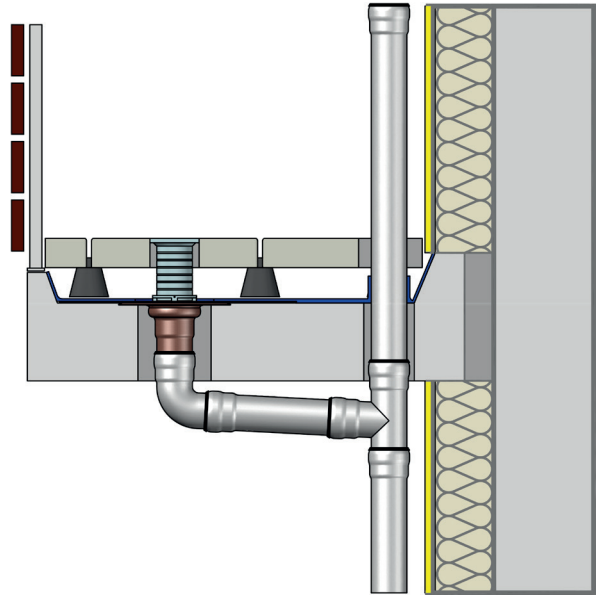


## Specification Sheet LX 964

### Balcony Drainage Series F, vertical runoff,

<b>Main drainage</b>	
<b>Gravity flow</b>	
<b>Silent</b>	
<b>Discharge:</b>	<b>1.0 l/s</b>
<b>Water height:</b>	<b>35 mm</b>
<b>Roof penetration:</b>	<b>140 mm</b>
<b>Diameter:</b>	<b>DN 70</b>
<b>LX-Number:</b>	<b>LX 964</b>
<b>Weir height:</b>	<b>0 mm</b>
<b>Drain:</b>	<b>ventilated</b>
<b>Downpipe:</b>	<b>without downpipe</b>
<b>Downpipe height:</b>	<b>-</b>
<b>Drainage:</b>	<b>into ground pipe</b>
<b>Flange:</b>	<b>connecting sleeve</b>

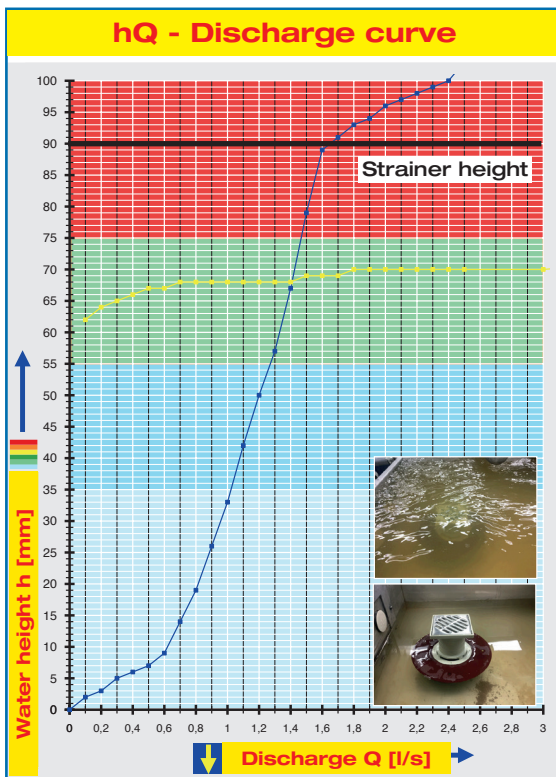


#### LX 964 Piece list

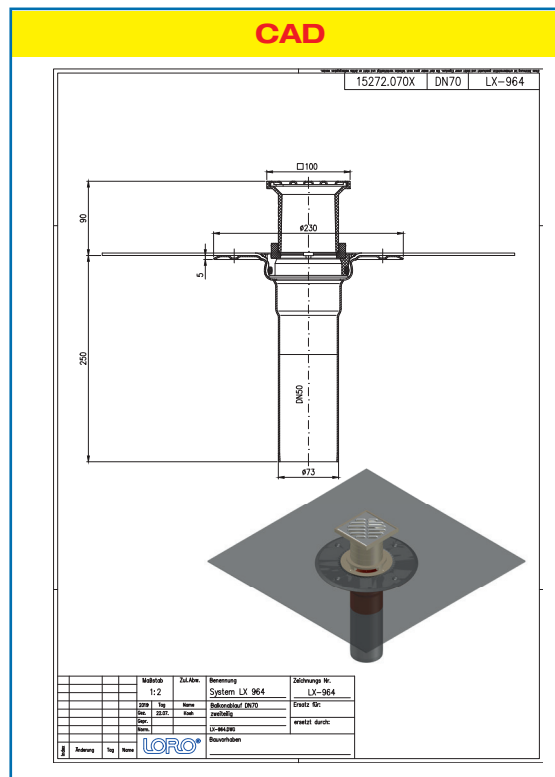
1 x Art.-No. Choose drain on page 2!

1 x Art.-No. 00911.070X, LORO-X Sealing elements

1 x Art.-No. 00986.000X, LORO-X Lubricant



System power



System shape

<b>Water height</b>	mm	10	15	20	25	30	35	40	45	50	55	60	65	70	75	80	85	90	95
<b>Discharge</b>	l/s	0,6	0,7	0,8	0,9	0,95	1,0	1,1	1,1	1,2	1,2	1,3	1,4	1,4	1,4	1,5	-	-	-
<b>Silent</b>																			

Please choose a suitable drain!

DN 70

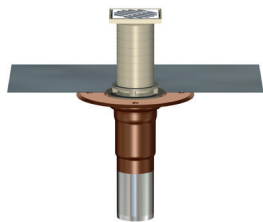
**without thermal insulation**

**LX964-12X**

Drain Art.-No. 15272.070X

with connecting sleeve,  
**Series F**

weight: 2.4 kg

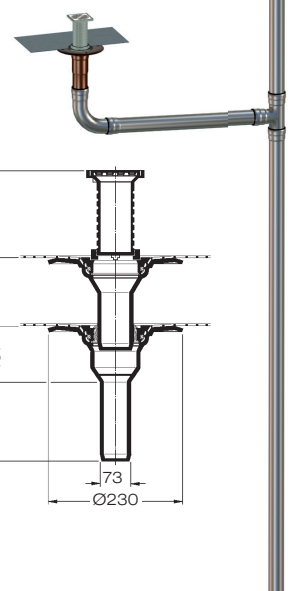
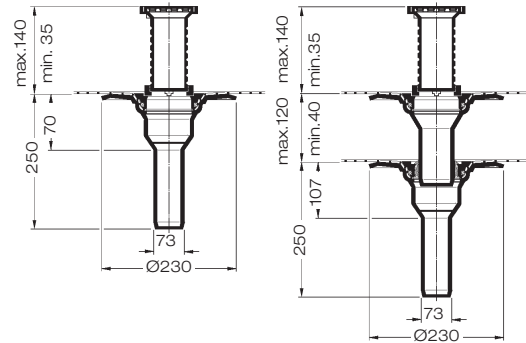
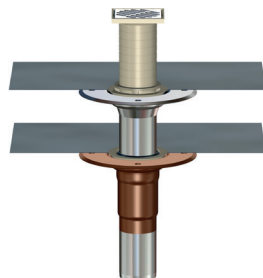


**LX964-13X**

Drain Art.-No. 15282.070X

with connecting sleeve,  
**Series F**

weight: 4.3 kg



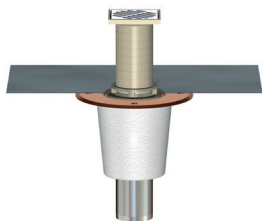
**with thermal insulation**

**LX964-14X**

Drain Art.-No. 15372.070X

with connecting sleeve,  
**Series F**

weight: 2.5 kg



**LX964-15X**

Drain Art.-No. 15382.070X

with connecting sleeve,  
**Series F**

weight: 4.5 kg

